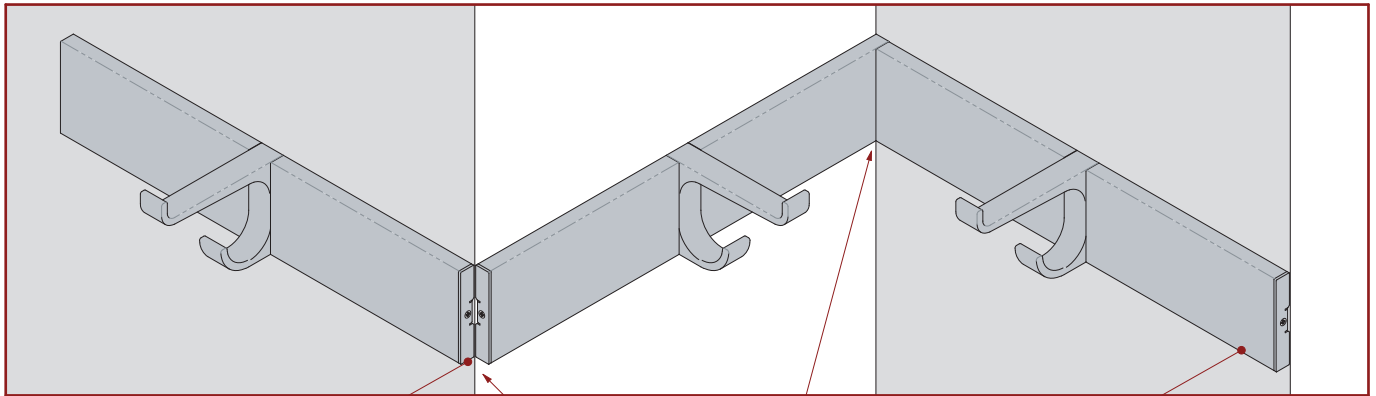


# Variset Single & Multiple Hooks

## Corner details

# corner

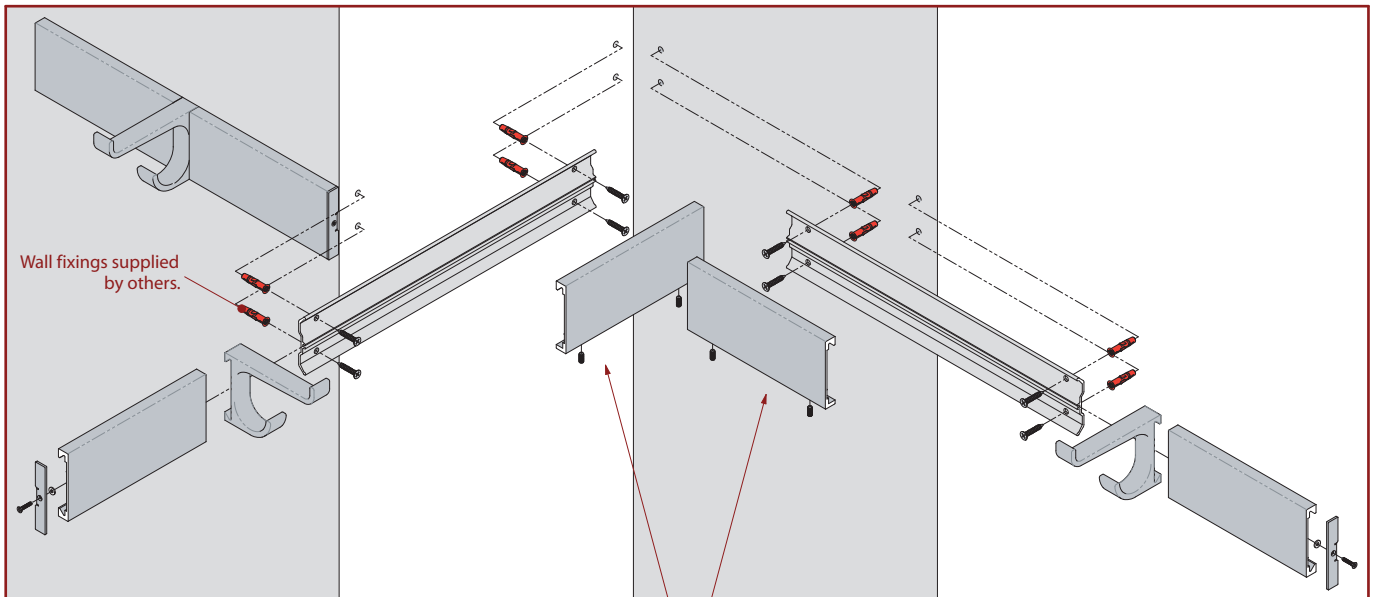


Bright mild steel end caps powder coated in either a textured silver or black finish.

External corner

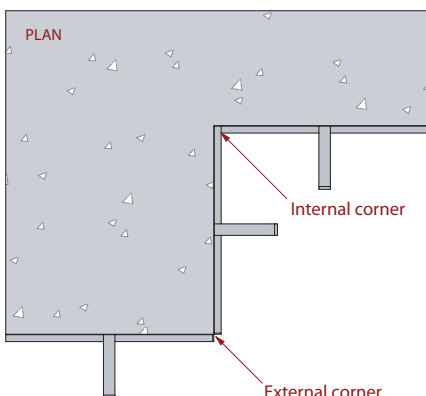
Internal corner

Hooks and spacers manufactured in extruded aluminium and powder coated from the full RAL colour range.



Wall fixings supplied by others.

Special spacers are required for internal corners and are fitted using grub screws. Please let us know if your hook rail layout requires internal corners when requesting a quote.

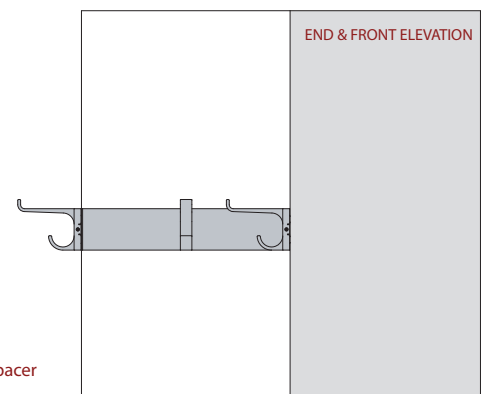


Internal corner

External corner

PLEASE NOTE

Standard spacer lengths are 75 and 170mm, special spacer lengths can be specified and supplied if required.



END & FRONT ELEVATION

# binns

**Variset benches, hooks, hangers & shelves** for changing rooms & cloakrooms  
variset® is designed by Royal Designer for Industry Sir Kenneth Grange CBE, RDI

**AJ Binns Limited**  
Harvest House, Cranborne Road  
Potters Bar, Hertfordshire EN6 3JF  
Telephone: 01707 85 5555  
Email: enq@ajbinns.com  
Web: www.ajbinns.com